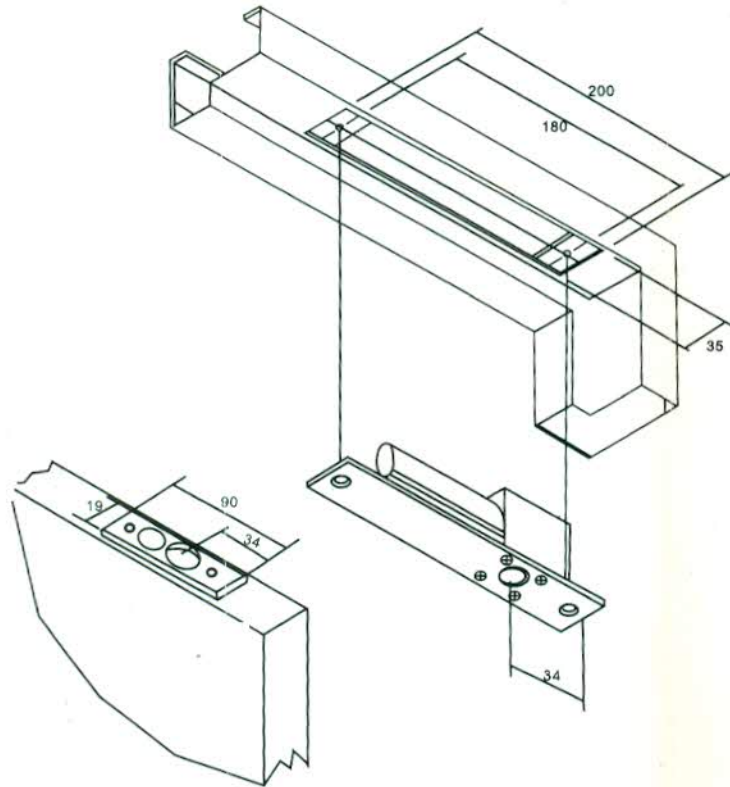


Electric mortise lock instructions



Main characteristics:

Working voltage: 12VDC

Red-Power supply(+)

Black-Power ground(-)

Working current: Start state 450mA

Persistent state 450mA

Coil type: Continuous working

Security type: Electric power lock, unlock

Lock core: The diameter of 15MM stainless

core, extending the length of 15MM

Locking mode: Magnetic induction

The original list:

Electric mortise lock (A handful of)

Panel cover (A block)

Induction lock (A block)

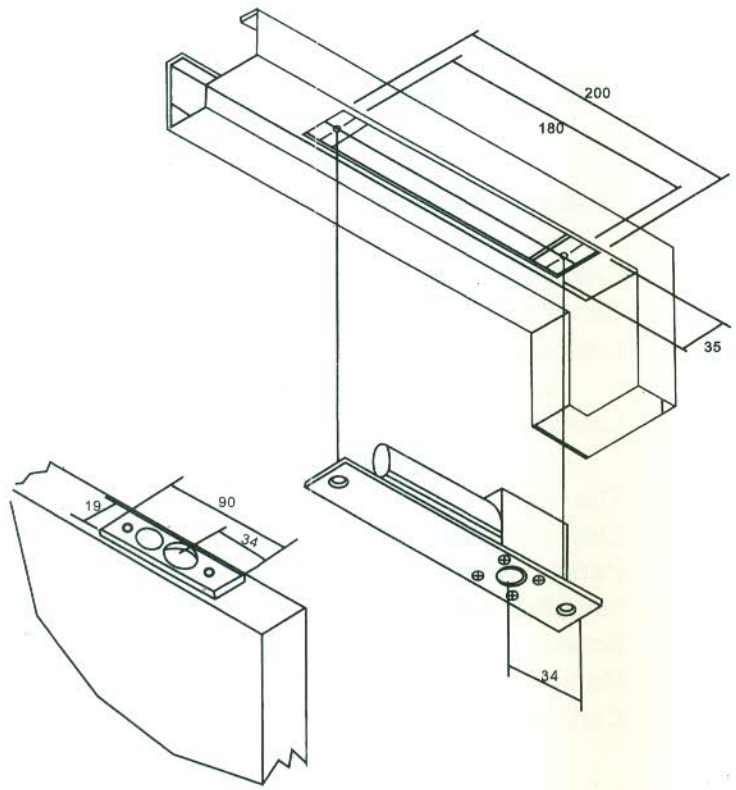
Screw (A packet of)

Manual (A piece of)

Certificate of conformity (A piece of)

002882

电插锁说明书



电锁特点:

工作电压: 12VDC

红色 → 电源 (+)

黑色 → 电源地 (-)

工作电流: 启动状态 450mA

持续状态 450mA

线圈类型: 连续工作型

安全类型: 通电上锁, 断电开锁

锁心: 直径15MM不锈钢锁心, 伸出长度15MM

上锁方式: 磁感应

原装清单:

电插锁	1把	螺 丝	1包
面板盖板	1块	说明书	1张
感应锁扣	1块	合格证	1张