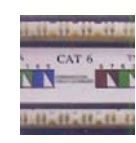
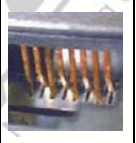



**BayLan 24Port Patch Panel UTP Cat.6A
BPLUAA1024H 0.5U**

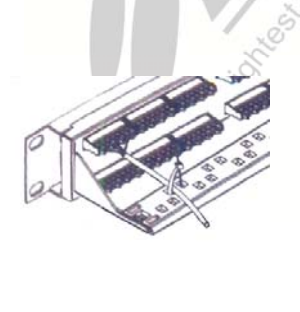
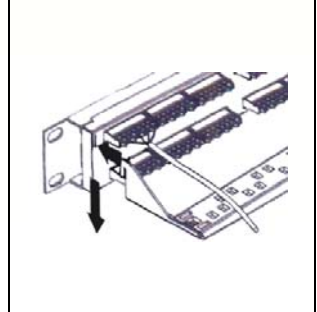



110 Enhanced Cat.6A Patch Panel:

- High Performance, exceed TIA/EIA 568B.2-1 Category 6 channel link requirements
- 110 type IDC termination
- 19" 24 port patch panel 0.5U size
- Accepts 22-26 AWG, stranded or solid wire
- Wiring: T568A/B
- With Rear cable manager

	<p>IDC Connector with large spacer for each pair to improve crosstalk</p>		<p>IDC Connector with large spacer for each pair to improve crosstalk</p>		<p>IDC Connector with large spacer for each pair to improve crosstalk</p>
---	---	---	---	---	---

Installing the wire Management

	<p>Align the tongue of the minder with the corresponding groove on the patch panel and insert in into the groove.</p>		<p>After the installing two jacks, use a tie wrap to attach wires to the wire manager. Do not over tighten the tie wrap! It crushes the wires. Continue this until all jacks have been installed.</p>
---	---	--	---

ComCode	Product ID	Description	Image
002658	BPLUAA1024H	110Patch Panel UTP Cat.6A 24port 0.5u 110, With Cable Management Bar	

Specifications are subject to change without prior notice with advancement in technology.

Related Products

ComCode	Product ID	Description	Image
001770	BPLU6D1024R	Patch Panel UTP Cat.6 24port 1u	
002657	BPLU6A1024H	Patch Panel UTP Cat.6 24port 0.5u 110, With Cable Management Bar	
000513	BPLE16D10	Patch Panel STP Cat.5e 16port 1U 110&KRONE	
000512	BPLE24D10	Patch Panel STP Cat.5e 24port 1U 110&KRONE	
000508	BPLE12D10	Patch Panel UTP Cat.5e 12port 1u 110	
000509	BPLE16D10	Patch Panel UTP Cat.5e 16port 1u 110	
000510	BPLE24D10	Patch Panel UTP Cat.5e 24port 1u 110	
002656	BPLUEA1024H	Patch Panel UTP Cat.5e 24port 0.5u 110, With Cable Management Bar	
000517	BPLE32D10	Patch Panel UTP Cat.5e 32port 2u 110	
	19" Rear Cable Management		

Specifications are subject to change without prior notice with advancement in technology.