

BR800-IR-UB (002305)
BR800-IR-RS (002736)
BayLan Barcode Slot Reader
USB / RS232 Interface



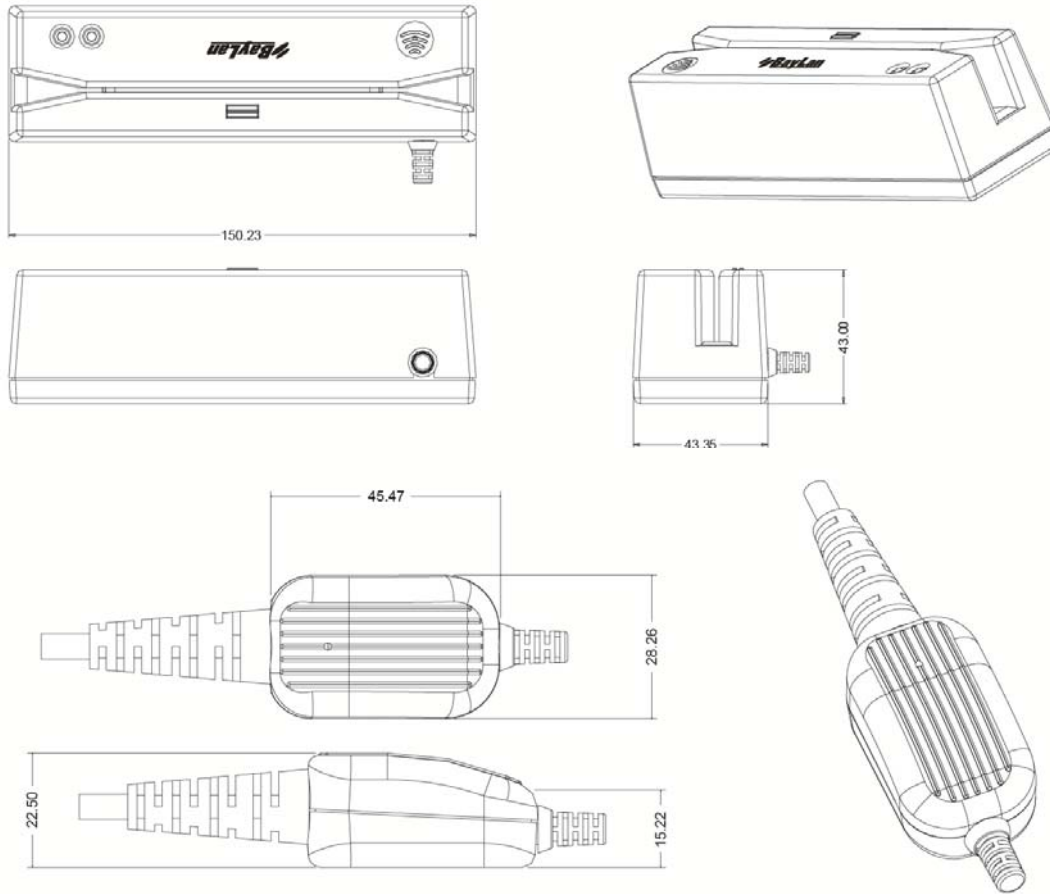
BR800 Slot Reader module is well designed and constructed with high quality components. It accepts wide range of reading speed and provides very accurate barcode scanning. With different wavelengths, barcodes which are printed on different materials can be easily read to suit the application needs. The built-in decoder is an advanced and versatile decoding facility for bar-coding systems. It works with variety of barcode types and computer interfaces.

SPECIFICATIONS:

Performance	
Light Source	Infrared ray 940nm
Scan Rate	100-1000mm / sec (3.9 - 39"/sec)
Sensor	Photo Diode
Resolution	6mil/0.15mm @ PCS 90%
Ambient Light	3000 Lux Max.
Height Scan Line	10.5mm / 8.5mm
Readable Barcode	ALL UPC/EAN/JAN EAN128 Code, Code 39, Code 39 Full ASCII, Code 128, CODABAR/NW7 Interleave 25
Electrical Characteristics	
Supply voltage	DC+5V±5%
Output Voltage (Typ.)	+5V±5%
Output low Voltage (Max.)	0.4V
Current Draw	±10%
	Power On (Typ.) 82mA
	Stand by (Typ.) 47mA,
	Operation (Typ.) 77mA
Environmental	
Operating Temperature	0°C to 50°C (32 °F to 122 °F)
Storage Temperature	-20°C to 70°C (-4 °F to 158 °F)
Relative Humidity	20% to 95% (Non-condensing)
Physical Characteristics	
Material	PC & ABS
Cable Length	150cm
Dimension	150.23mm x 43.35mm x 43.00 mm

Specifications are subject to change without prior notice with advancement in technology.

Mechanical Drawing



Specifications are subject to change without prior notice with advancement in technology.