

**MR800**  
**BayLan Magnetic Slot Reader**  
**USB Interface (002304)**  
**RS232 Interface (002636)**



**MR800** Magnetic Slot Reader is well designed and constructed with high quality components. It conforms to ISO 7810-7813 standards and is designed for use in access control, retail and time attendance applications, etc. The TTL output allows the reader to be universally accepted by most decoders. The built-in decoder is an advance and versatile decoding facility with works with variety of computer interfaces.

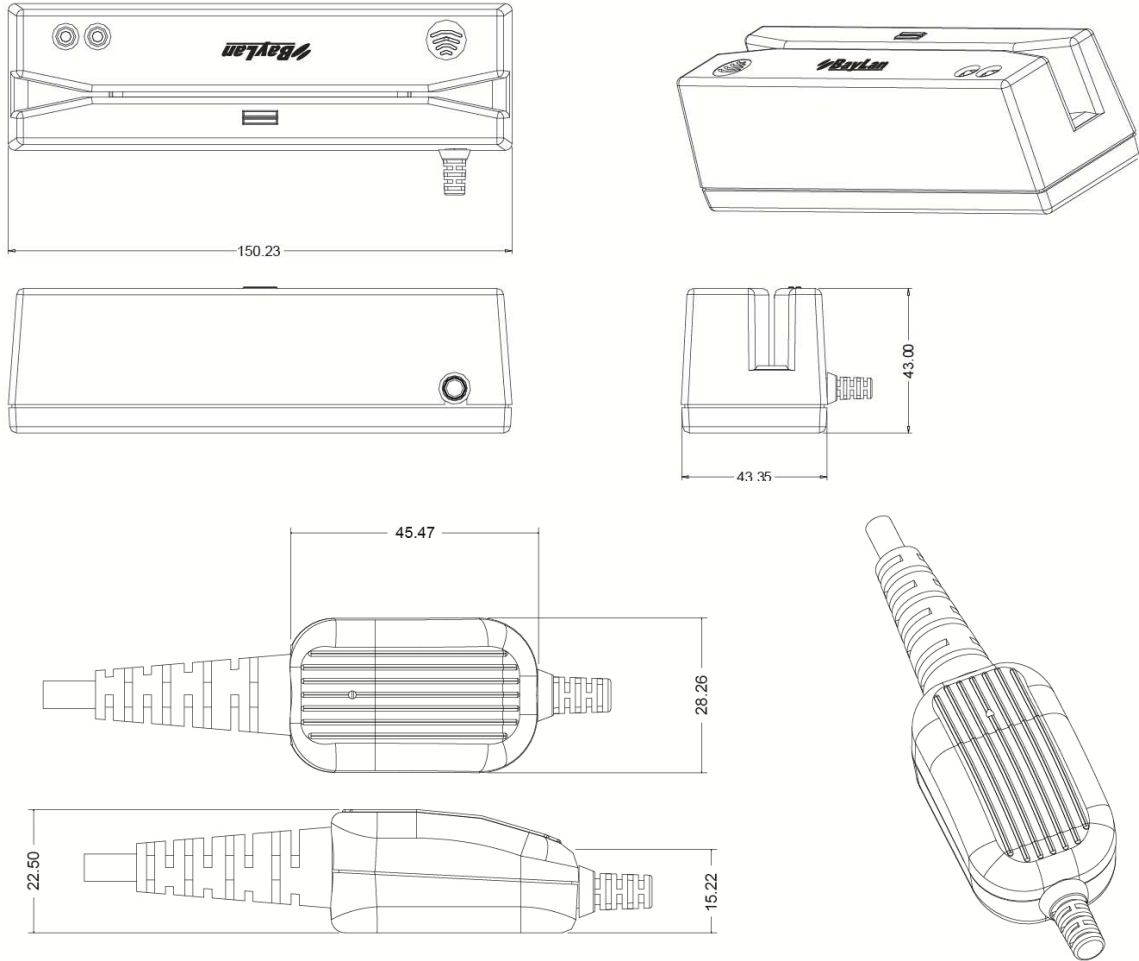
“Captures 3 tracks of data from all ISO-and AAMVA-encoded magnetic stripe cards.”

**SPECIFICATIONS:**

Performance				
Scan Rate	100-1000mm / sec (3.9 - 39"/sec)			
Direction	Bi-direction			
Life Cycle	1,000,000 passes			
Magnetic Card	ISO 7810-7813 standards and JISII			
Electrical Characteristics				
Supply voltage	DC+5V±5%			
Output Voltage (Typ.)	+5V±5%			
Output low Voltage (Max.)	0.4V			
Current Draw	±10%			
	Power On (Typ.) 87mA			
	Stand by (Typ.) 61mA,			
	Operation (Typ.) 88mA			
Environmental				
Operating Temperature	0°C to 50°C (32 °F to 122 °F)			
Storage Temperature	-20°C to 70°C (-4 °F to 158 °F)			
Relative Humidity	20% to 95% (Non-condensing)			
Physical Characteristics				
Material	PC & ABS			
Cable Length	150cm			
Dimension	150.23mm x 43.35mm x 43.00 mm			
Track Information				
Track	1	2	3	JIS II
Standard	IATA	ABA	THRIFT/MINTS	THRIFT/MINTS
Recording Method	F2F(FM)	F2F(FM)	F2F(FM)	F2F(FM)
Recording Density	210PBI	75BPI	210BPI	
Capacity	79 Characters	40 Characters	107 Characters	79 Characters
	7 Bits/Characters	5 Bits/Characters	5 Bits/Characters	7 Bits/Characters

Specifications are subject to change without prior notice with advancement in technology.

## Mechanical Drawing



Specifications are subject to change without prior notice with advancement in technology.