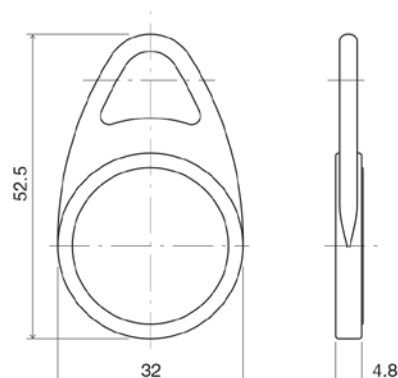





RFID Keyfobs EM 125KHz

Despite its exceptional thinness, Teardrop is designed to withstand harsh environment and be easily attachable to an ordinary key-ring. Teardrops present an excellent alternative to contactless cards, finding multiple uses within the access and security areas, as they are efficient, practical, convenient and easy to use.





Features:

- Frequency : RFID EM 125Khz
- Operating Temp.: -25°C to 50°C
- Material: Polyamide – high impact material
- Humidity Resistance : Suitable for indoor & outdoor use
- Resistant to Dust, Dirt and Humidity
- Different chips are available for customer's applications
- Possibility to combine two technologies in one key fob
- Product can be personalized by full color printing or long-lasting laser engraving.
- Using customer's logo, a number or any graphic motive.

ITCD#	Product ID.	Description/Size	Color	Picture
002813	BKFR03A11BL	RFID Keyfob TK-4100 W30 x H37 x T8 mm Number Embossed		
002814	BKFR03A11YL	RFID Keyfob TK-4100 W30 x H37 x T8 mm Number Embossed		
002815	BKFR03A11RD	RFID Keyfob TK-4100 W30 x H37 x T8 mm Number Embossed		

Specifications are subject to change without prior notice with advancement in technology.

002282	BKFR03A11GY	RFID Keyfob TK-4100 W30 x H37 x T8 mm Number Embosed	Grey	
002280	BKFR01A11BL	RFID Keyfob TK-4100 W33 x H41 x T4 mm	Blue	
002281	BKFR02A11GY	RFID Keyfob TK-4100 W36 x H56 x T6 mm	Grey	