

T5

BayLan Professional Fingerprint Card Access Control Reader



BayLan T5 is an innovative fingerprint card access reader which fully integrates fingerprint and RFID technology. The very compact design makes it suitable for installation on door frame. T5 has standard Wiegand output to connect seamlessly with access controllers. T5 can easily update the existing card reader for higher security level of fingerprint and card.

FEATURES

- World leading brand. Simplicity-led design
- Optical fingerprint reader, scratch-proof, unbreakable and durable. Well accept all kind of fingerprints
- Stylish blue LCD. Musical buzzer
- Stand-alone without being connected with computer. Standard 512 fingerprints
- Standard 30000 records
- Multiple identification method: fingerprint only, ID + password, ID + fingerprint
- Standard RS 485, wiegand 26 output, dry contact output and TCP/IP network interface
- Optional BayLan SC021 or SC822 access controller for separate type secure access control
- Optional waterproof cover for outdoor use. Door bell button for direct connection with door bell
- Wall mounted. Combined 2-in-1 function for both time attendance and access control

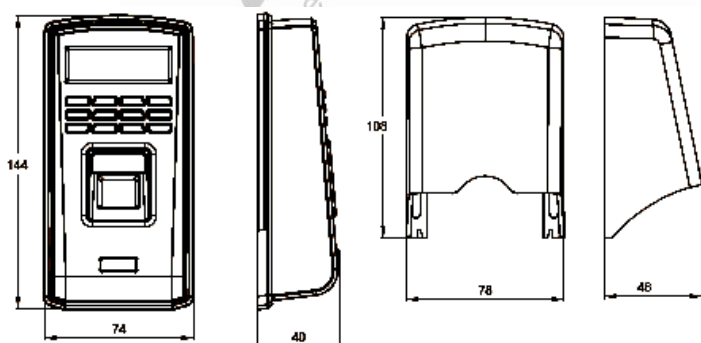
Specifications are subject to change without prior notice with advancement in technology.

PARAMETER

Processor	32-bit high speed DSP
Identification Method	FP, CARD, FP+CARD, FP on Mifare Card
Identification Time	≤1 second
Registration Method	Fingerprint, ID card and optional Mifare/HID, Card
User Capacity	512 Fingerprints (no limits for FP on Mifare Card)
Record Capacity	32000
Card reader Module	ID, Mifare (optional)
FRR	0.001%
FAR	0.00001%

Output	Wiegand26/32/34/40, Wiegand
Communication	RS232, RS485, Mini USB
Power Supply	Input 12VDC, 300mA
Working Temperatur	-10°C -60°C
Size	55(w)*145(h)*37(d)mm
Color	Black, (customizable)
Scan Area	22mm*18mm
Resolution	500DPI
Casing Material	ABS industrial plastic

Appearance drawing



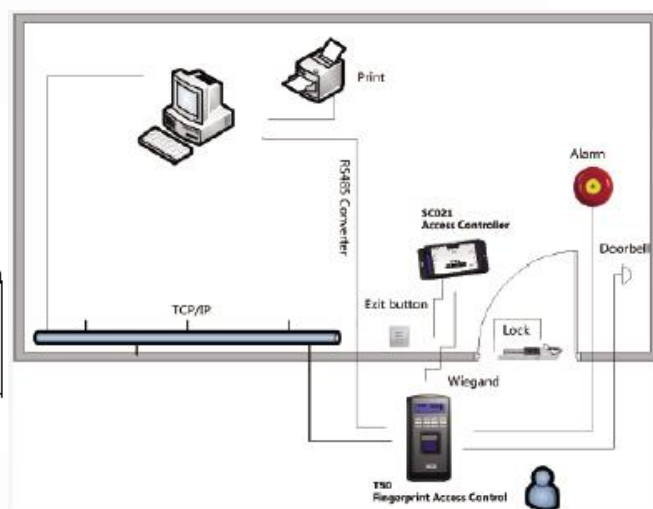
Front View

Side

Front View of Waterproof cover

Side View of Waterproof cover

Network topology illustration



Single door separate type access control Solution

Specifications are subject to change without prior notice with advancement in technology.